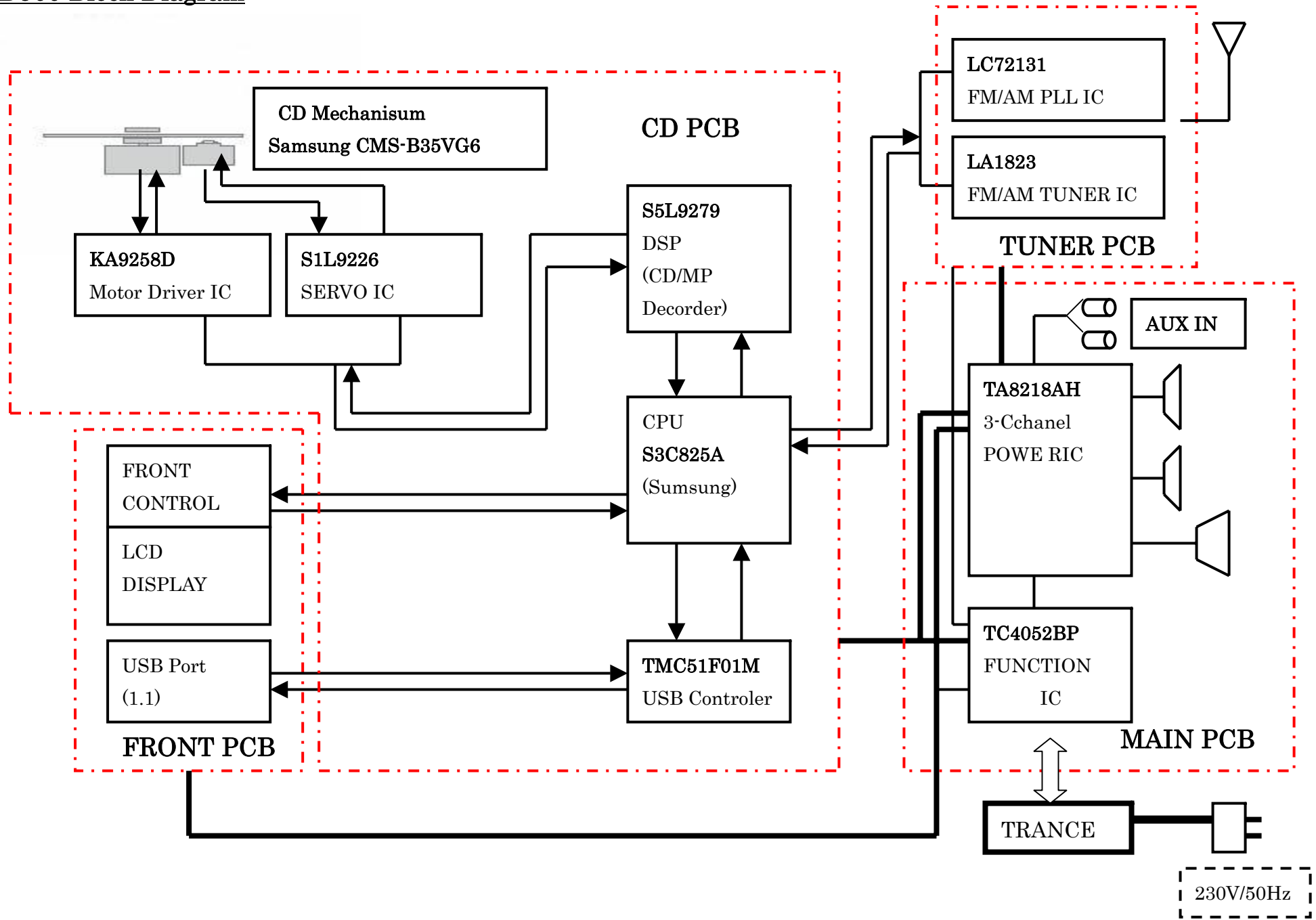
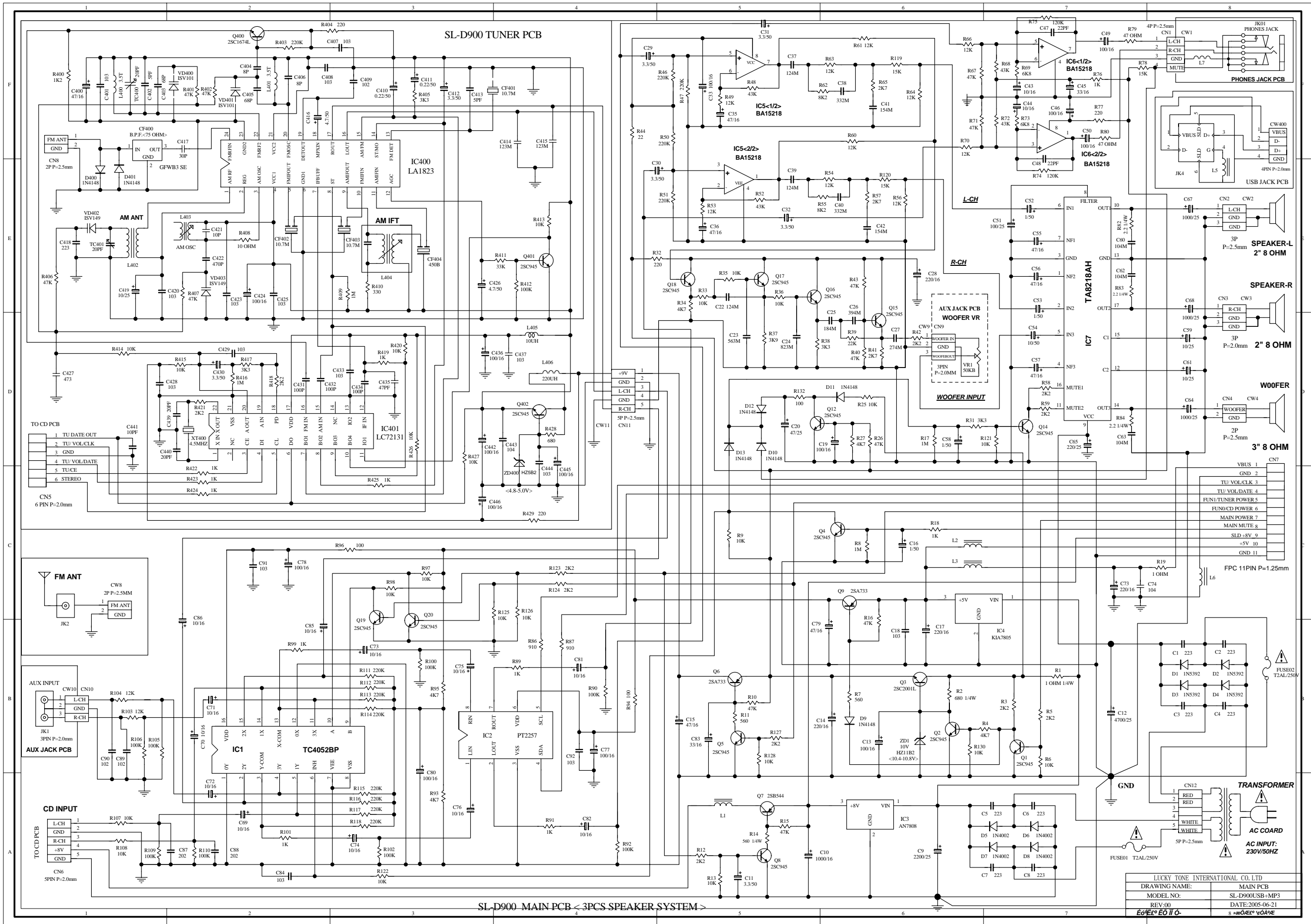
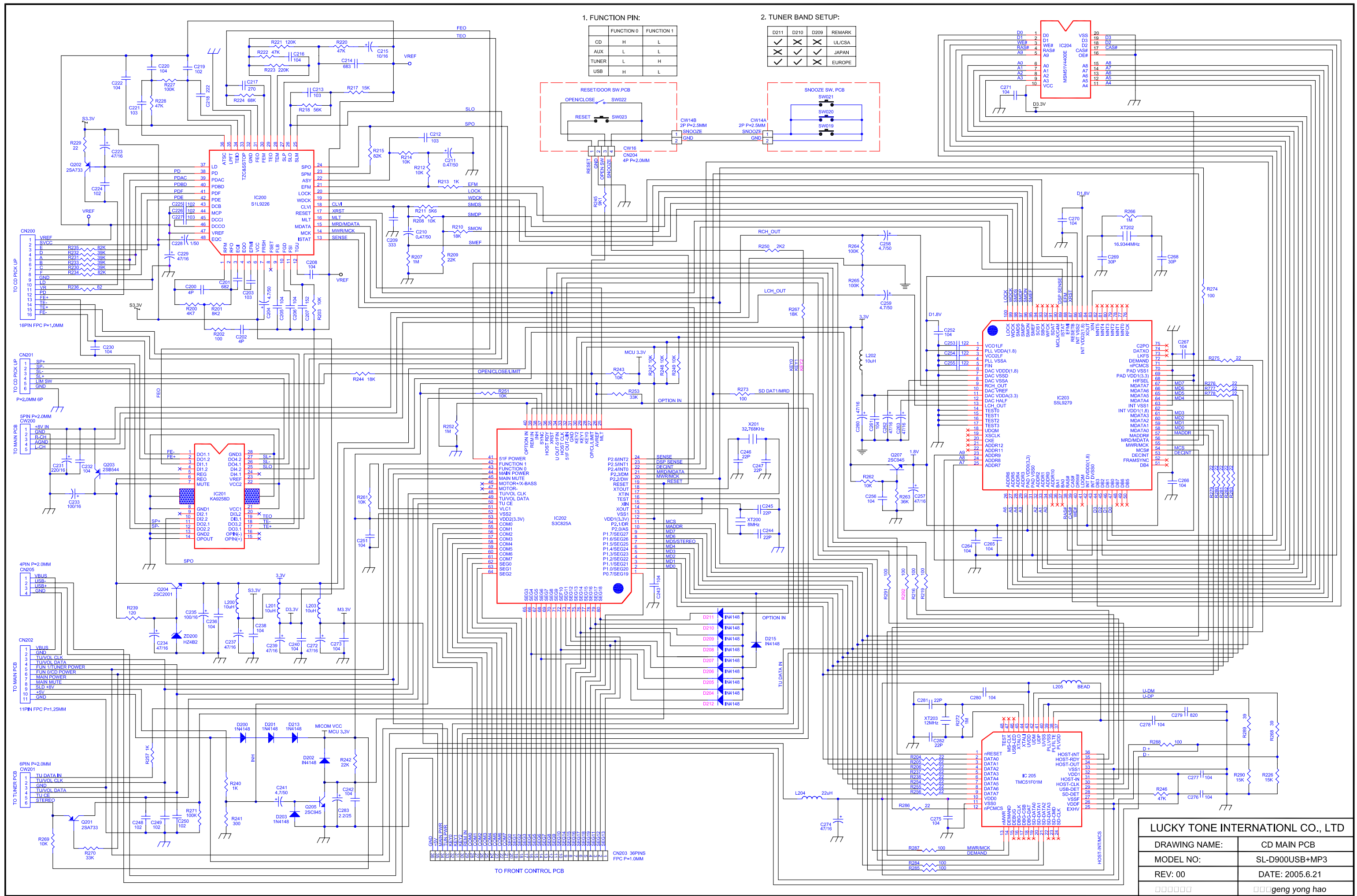


# SL-D900 Block Diagram





LUCKY TONE INTERNATIONAL CO. LTD	
DRAWING NAME:	MAIN PCB
MODEL NO.:	SL-D900USB-MP3
REV:00	DATE:2005-06-21
Edo	Edo

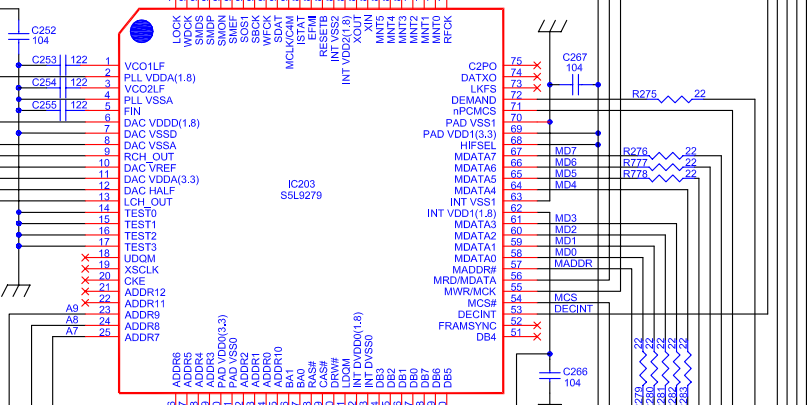
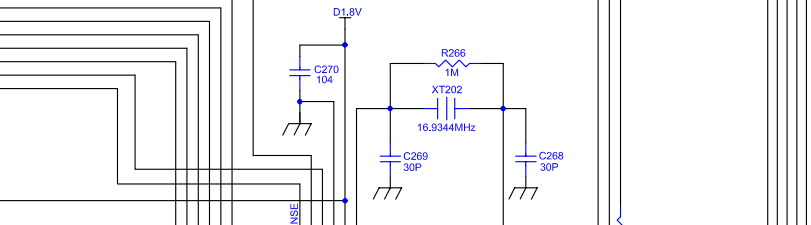
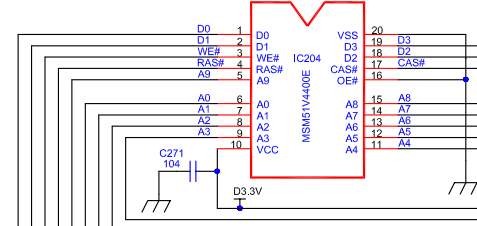
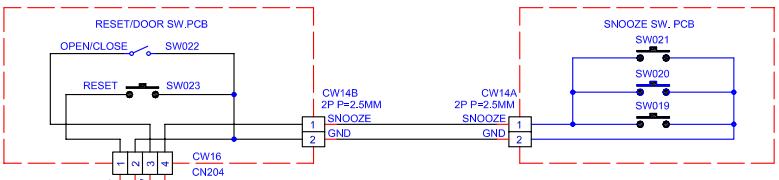


1. FUNCTION PIN:

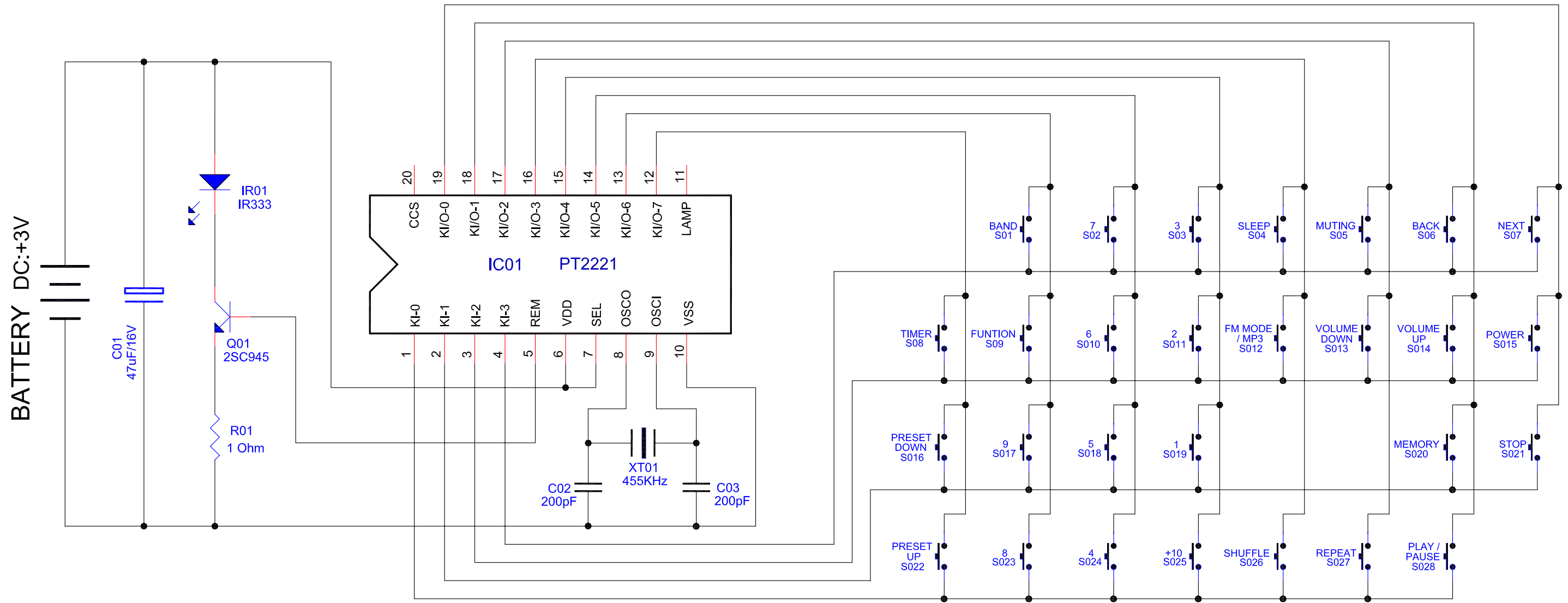
	FUNCTION 0	FUNCTION 1
CD	H	L
AUX	L	L
TUNER	L	H
USB	H	L

2. TUNER BAND SETUP:

D211	D210	D209	REMARK
✓	✗	✗	UL/CSA
✗	✓	✓	JAPAN
✓	✓	✗	EUROPE

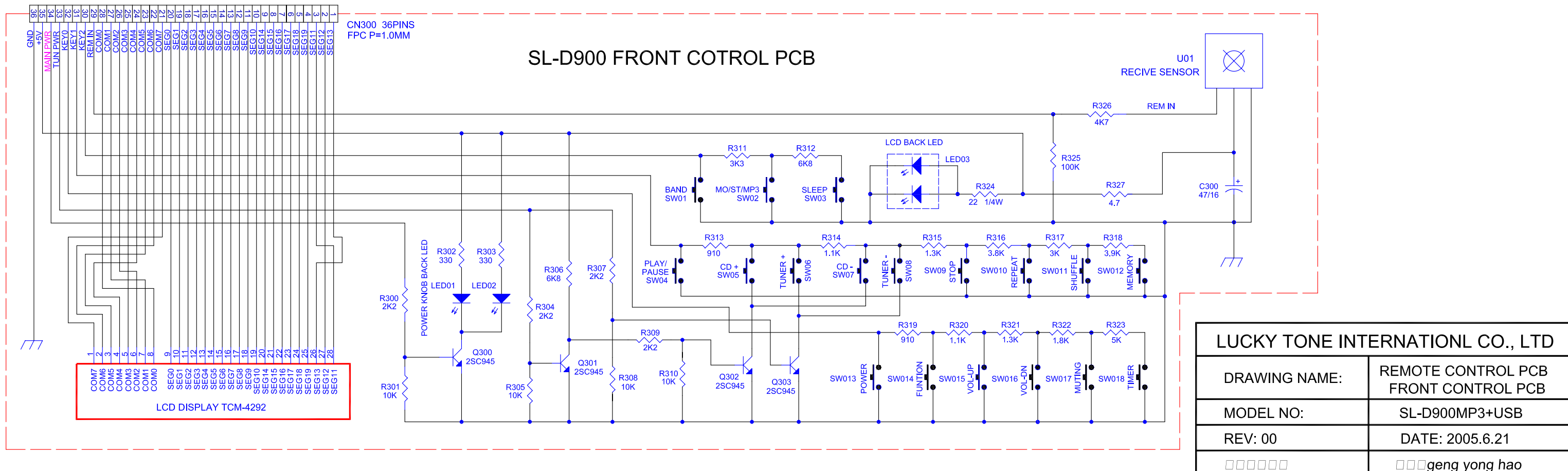


LUCKY TONE INTERNATIONAL CO., LTD	
DRAWING NAME:	CD MAIN PCB
MODEL NO.:	SL-D900USB+MP3
REV: 00	DATE: 2005.6.21
□□□□□□	□□□geng yong hao



TO CD MAIN PCD

SL-D900 REMOTE COTROL PCB



LUCKY TONE INTERNATIONL CO., LTD	
DRAWING NAME:	REMOTE CONTROL PCB FRONT CONTROL PCB
MODEL NO:	SL-D900MP3+USB
REV: 00	DATE: 2005.6.21
□□□□□□	□□□geng yong hao